

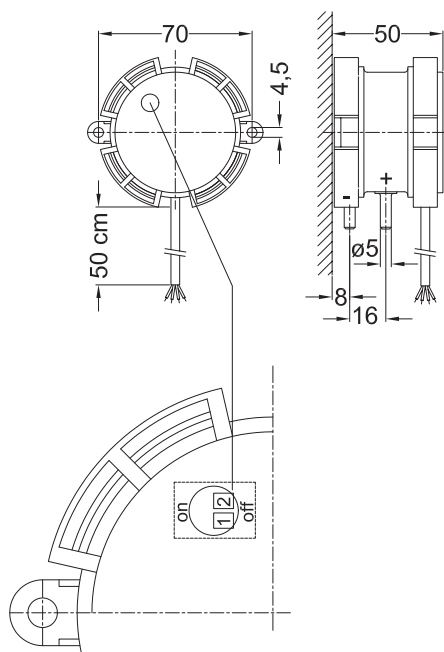
DIFFERENTIAL PRESSURE SENSOR with selectable measurement range DS85-P



- ❑ Diaphragm element
- ❑ Measuring range from 0...50 Pa to 0...6000 Pa
- ❑ Analogue output 0...10 V or 4...20 mA
- ❑ Supply voltage 24 Vac or 24 Vdc
- ❑ 4 calibrated measuring ranges selectable via DIP-Switch
- ❑ Compact size of about ca. 70 mm
- ❑ Protection class IP 65

Sensor for measuring small differential pressure of non-aggressive gases, preferably of air. Ranges from 50 Pa up to 6000 Pa are covered by three units, up to four calibrated ranges are selectable by DIP-switch in each unit.

Dimensions (mm)

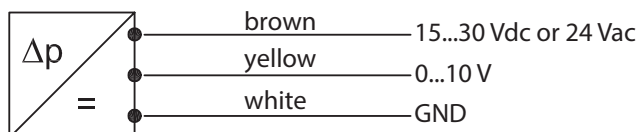


Specifications

Lowest range:	50 Pa
Widest range:	6000 Pa
Overload protection:	0,2 bar
Static pressure:	max. 0,2 bar
Pressure connectors:	hose liners 5 mm \varnothing
Housing:	ultra mid, black, protection class IP 65, diameter 70 mm, depth 50 mm
Electrical Connections:	3-wire cable, colour-coded, electronics against false polarity
Supply voltage:	15...30 Vdc or 24 Vac \pm 15 %
Current consumption:	approx. 10 mA (at 24 Vdc)
Output:	0...10 V three-wire system
Characteristic:	linear
Ambient temperature:	-10...+50 °C
Weight:	approx. 90 g
Mounting position:	vertical, alteration at 90° approx. 0,25 mbar
EMC:	tested according EN 61000-6-2, EN 61000-6-3, CE mark

Device types	DS85-P200	DS85-P1000	DS85-P6000
Range			
MB 1:	0...200 Pa	0..1000 Pa	0...6000 Pa
MB 2:	0...150 Pa	0...500 Pa	0...4000 Pa
MB 3:	0...100 Pa	0...300 Pa	0...3000 Pa
MB 4:	0...50 Pa	0...200 Pa	0...2000 Pa

Connections



DIFFERENTIAL PRESSURE SENSOR with selectable measurement range DS85-P



Error limits (related to the actual range)

	Zero deviation	Final value deviation	Linearity	Resolution	Hysteresis
DS85-P200					
0...200 Pa	± 0,5 %	± 0,5 %	± 0,25 %	0,1 %	1 %
0...150 Pa	± 0,75 %	± 0,6 %	± 0,4 %	0,2 %	0,7 %
0...100 Pa	± 1 %	± 0,7 %	± 0,5 %	0,2 %	0,5 %
0...50 Pa	± 2 %	± 1 %	± 1 %	0,3 %	0,5 %
DS85-P1000					
0...1000 Pa	± 0,5 %	± 0,5 %	± 0,25 %	0,1 %	0,2 %
0...500 Pa	± 0,7 %	± 0,7 %	± 0,5 %	0,2 %	0,2 %
0...300 Pa	± 0,9 %	± 0,9 %	± 0,9 %	0,3 %	0,2 %
0...200 Pa	± 1 %	± 1 %	± 1,25 %	0,3 %	0,2 %
DS85-P6000					
0...6000 Pa	± 0,5 %	± 0,5 %	± 0,25 %	0,1 %	0,2 %
0...4000 Pa	± 0,7 %	± 0,7 %	± 0,4 %	0,15 %	0,2 %
0...3000 Pa	± 0,9 %	± 0,9 %	± 0,6 %	0,2 %	0,2 %
0...2000 Pa	± 1 %	± 1 %	± 0,75 %	0,25 %	0,2 %

	Item no.
Differential pressure sensor DS85-P200	2550
Output: 0...10 V, 3-wire technology Supply voltage: 15...30 Vdc, 24 Vac Range: 0...200, 0...150, 0...100 and 0...50 Pa	
Differential pressure sensor DS85-P1000	2551
Output: 0...10 V, 3-wire technology Supply voltage: 15...30 Vdc, 24 Vac Range: 0...1000, 0...500, 0...300 and 0...200 Pa	
Differential pressure sensor DS85-P6000	2552
Output: 0...10 V, 3-wire technology Supply voltage: 15...30 Vdc, 24 Vac Range: 0...6000, 0...4000, 0...3000 and 0...2000 Pa	
ACCESSORIES	
Mounting set M-DS with screws, hose liners and 2 m plastic hose (4 x 1,5 mm)	25110
SURCHARGE	
Test certificate	25108