

# DIFFERENTIAL PRESSURE MANOMETER DA2000



- Diaphragm element
- Smallest measuring range 0...100 Pa
- Wide 270° analogue display - scale length ca. 250 mm
- No supply voltage needed
- Scaling in m<sup>3</sup>/h possible

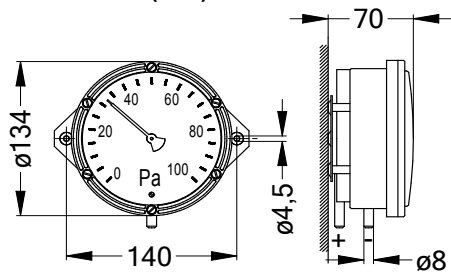
Manometer with a diaphragm element for indication of pressure, under pressure or differential pressure of non aggressive gas.

The Manometer is delivered with accessories for mounting in front or behind a panel or wall installation.

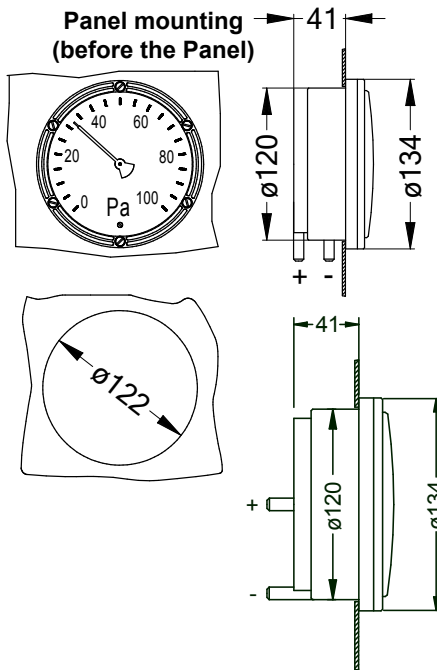
Optional are:

- Two limit value pointers red or green
- Manometer with analogue output signal
- Combination of indicator and pressure switch fitted in a wall mounting bracket

### Dimensions (mm) - wall construction



### Panel mounting (before the Panel)



### Specifications

Measurement range: 0...100 Pa, 0...200 Pa, 0...500 Pa, 0...1000 Pa, 0...2000 Pa, 0...5000 Pa

Display: scale length 270° = approx. 250 mm  
 Overload protection: min. up to 10-times measurement span  
 Static pressure: max. 0,2 bar  
 Pressure Connections: hose liners 8 mm ø  
 Housing: ultra mid / ABS, black, transparent cover, round diameter 134 mm ø

Ambient temperature: -10...50 °C  
 Protection class: IP 65  
 Weight: approx. 400 g  
 Tolerance: ± 2 %

### Pressure switch

Adjustable switching ranges: 20...300 Pa, 30...400 Pa, 50...500 Pa, 200...1000 Pa, 500...2500 Pa, 1000...5000 Pa

Tolerance of highest and Deepest switching point: ± 15 %  
 Switching capacity: max. 1,5 A / 250 Vac  
 Lifespan: mechanical more then 10<sup>6</sup> switching cycles  
 Port mapping: Normally Closed Contact - NCC  
 Normally Open Contact - NOC  
 Supply - COM  
 Protection class: IP 54

### Analogue signal

Signal range: 0...10 V, 3-wire technology  
 supply voltage 15...30 Vdc or 24 Vac  
 4...20 mA, 2-wire technology  
 supply voltage 12...30 Vdc  
 Electrical Connections: rectangular connector 16 mm or colour-coded cable, approx. 50 cm length

|  | Item no. |
|--|----------|
| Differential pressure manometer DA2000 | 2532     |

Measurement range: **Customer-specific presetting required!**

Accessories for mounting in front or behind a panel or wall installation.

### ACCESSORIES

|   |       |
|---|-------|
| Mounting set M-DA2000 with screws, metal-pressure taps, sealing and 2 m plastic hose (7 x 1,5 mm) | 25304 |
| 1. Limit value pointer red or green - <b>Please choose!</b>                                       | 25301 |
| 2. Limit value pointer red or green - <b>Please choose!</b>                                       | 25302 |

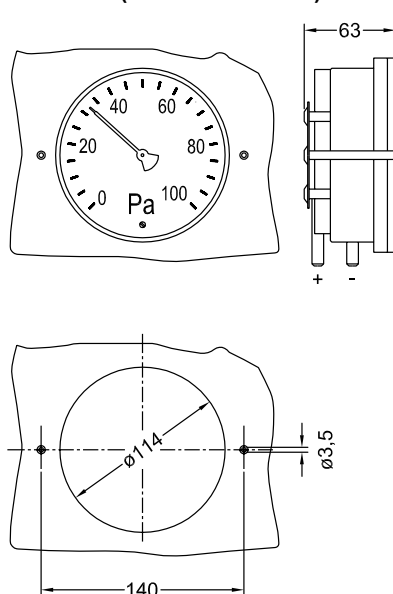
### SURCHARGE

|   |       |
|---|-------|
| Probe measuring range e.g. -20...0...+80 Pa         | 25303 |
| Scale in m <sup>3</sup> /h                          | 25306 |
| Double scale DA2000 (e.g. m <sup>3</sup> /h and Pa) | 25311 |

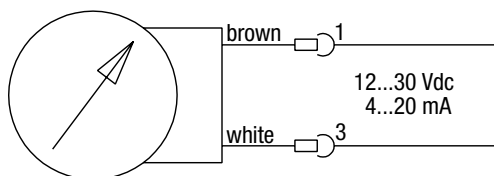


Differential pressure manometer with analogue output - DA2000-A

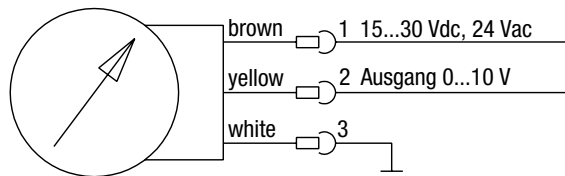
Panel mounting  
(before the Panel)



**DA2000-A**  
Connections 2-wire technology



**DA2000-A**  
Connections 3-wire technology



Item no.

**Differential pressure manometer with analogue output DA2000-A**  
Electrical connection via rectangular connectors

Measurement range: **Customer-specific presetting required!** Output: 0...10 V, 3-wire technology 2533

Measurement range: **Customer-specific presetting required!** Output: 4...20 mA, 2-wire technology 2536

**Differential pressure manometer with analogue output DA2000-A**  
Electrical connection via cable, 50 cm long, colour-coded

Measurement range: **Customer-specific presetting required!** Output: 0...1a0 V, 3-wire technology 2534

Measurement range: **Customer-specific presetting required!** Output: 4...20 mA, 2-wire technology 2537

**ACCESSORIES**

**Mounting set M-DA2000** with screws, plastic-pressure taps, 2 m plastic hose (7 x 1,5 mm) 25304

**1. Limit value pointer red or green - Please choose!** 25301

**2. Limit value pointer red or green - Please choose!** 25302

**SURCHARGE**

**Probe measuring range** e.g. -20...0...+80 Pa 25303

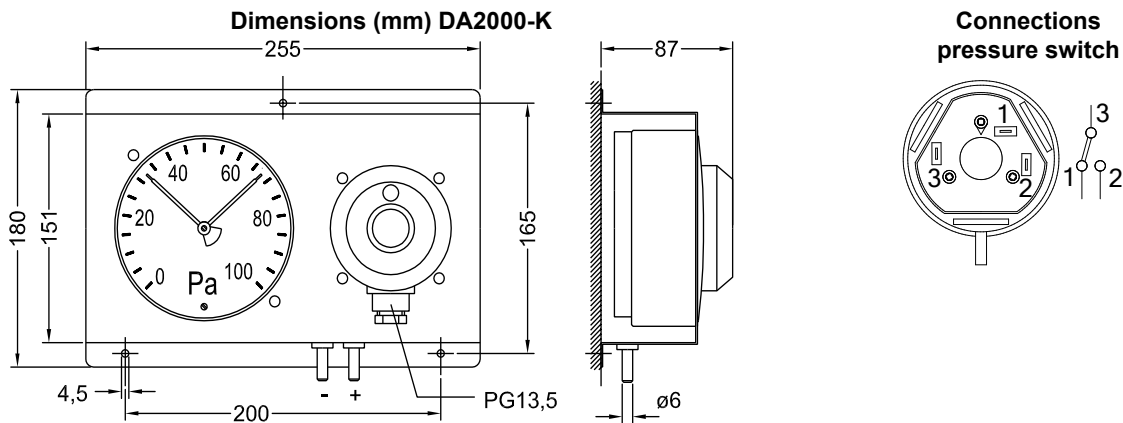
**Scale in m³/h** 25306

**Output square root rad-DA2000** at output 0...10 V and 4...20 mA possible 25307

# DIFFERENTIAL PRESSURE MANOMETER DA2000-K



Differential pressure manometer with pressure switch - DA2000-K



|   | Item no. |
|---|----------|
| Differential pressure manometer with pressure switch DA2000-K                             | 2535     |
| <b>Measurement range: Customer-specific presetting required!</b>                          |          |
| Combination of manometer and pressure switch installed in a wall bracket                  |          |
| <b>ACCESSORIES</b>  |          |
| Mounting set M-DA2000-K with screws, plastic-pressure taps, 2 m plastic hose (5 x 1,5 mm) | 25305    |
| 1. Limit value pointer red or green - <b>Please choose!</b>                               | 25301    |
| 2. Limit value pointer red or green - <b>Please choose!</b>                               | 25302    |
| <b>SURCHARGE</b>  |          |
| Probe measuring range e.g. -20...0...+80 Pa   | 25303    |
| Scale in m <sup>3</sup> /h  | 25306    |
| Output square root rad-DA2000 at output 0...10 V and 4...20 mA possible                   | 25307    |

# DIFFERENTIAL PRESSURE MANOMETER DA2000-S / DA2000-K-S / DA2000-A-S



- Diaphragm element
- Smallest measuring range 0...100 Pa
- Wide 270° analogue display - scale length ca. 250 mm
- No supply voltage needed
- Scaling in m<sup>3</sup>/h possible
- Protection class IP 66
- Analogue output 0...10 V or 4...20 mA possible
- Combination with pressure switch available (1,5 A / 250 Vac)

Manometer with diaphragm element for indication of pressure, under pressure or differential pressure of non aggressive gas.

The Manometer is delivered with accessories for mounting in front or behind a panel or wall installation.

Optional are:

- Two limit value pointers red or green
- Manometer with analogue output signal
- Combination of indicator and pressure switch fitted in a wall mounting bracket

### Specifications

Measurement range: 0...100 Pa, 0...200 Pa, 0...500 Pa, 0...1000 Pa, 0...2000 Pa, 0...5000 Pa

Display: scale length 270° = approx. 250 mm  
 Overload protection: min. up to 10-times the measurement range  
 Static pressure: max. 0,2 bar  
 Pressure Connections: hose liners 8 mm ø  
 Housing: plastic,  
 DA2000-S 164 x 194 x 110 mm (w x h x d)  
 DA2000-A-S 194 x 240 x 110 mm (w x h x d)  
 DA2000-K-S 240 x 194 x 110 mm (w x h x d)

Ambient temperature: -10...50 °C  
 Protection class: IP 65  
 Weight: approx. 400 g  
 Tolerance: ± 2 %

### Pressure switch

Adjustable switching ranges: 20...300 Pa, 30...400 Pa 50...500 Pa, 200...1000 Pa, 500...2500 Pa, 1000...5000 Pa

Tolerance of highest and Deepest switching point: ± 15 %  
 Switching capacity: max. 1,5 A / 250 Vac  
 Lifespan: mechanical more then 10<sup>6</sup> switching cycles  
 Port mapping: Normally Closed Contact - NCC  
 Normally Open Contact - NOC  
 Supply - COM

Protection class: IP 66

### Analogue signal

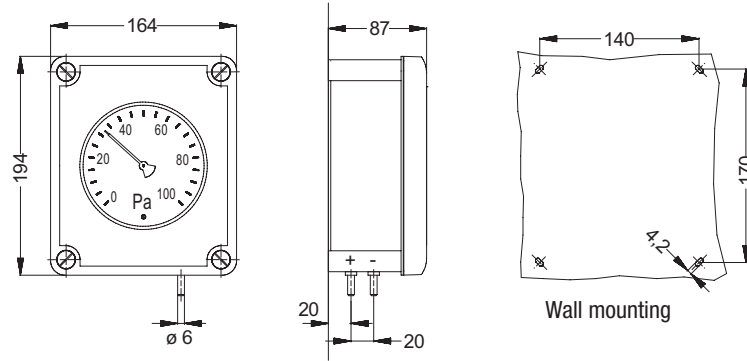
Signal range: 0...10 V, 3-wire technology  
 supply voltage 15...30 Vdc or 24 Vac  
 4...20 mA, 2-wire technology  
 supply voltage 12...30 Vdc

Electrical Connections: rectangular connector 16 mm or colour-coded cable, approx. 50 cm length

# DIFFERENTIAL PRESSURE MANOMETER DA2000-S / DA2000-K-S / DA2000-A-S



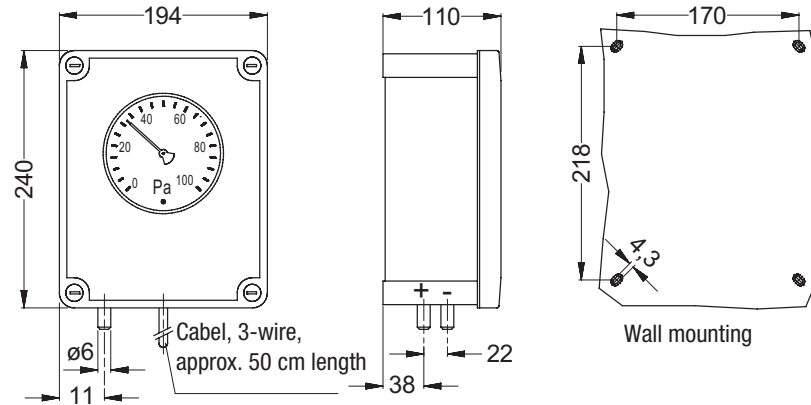
Dimensions (mm) DA2000-S



DA2000-A-S



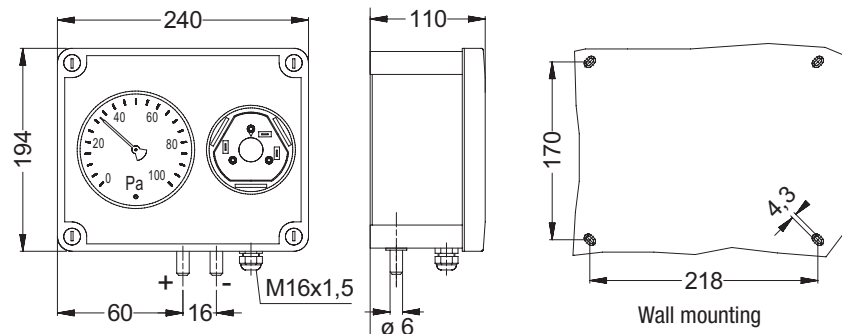
Dimensions (mm) DA2000-A-S



DA2000-K-S



Dimensions (mm) DA2000-K-S



|   | Item no. |
|---|----------|
| Differential pressure manometer DA2000-S  | 25308    |
| Measurement range: <b>Customer-specific presetting required!</b>                        |          |
| Differential pressure manometer DA2000-K-S  | 25309    |
| Measurement range: <b>Customer-specific presetting required!</b>                        |          |
| Differential pressure manometer DA2000-A-S  | 25310    |
| Measurement range: <b>Customer-specific presetting required!</b>                        |          |
| <b>ACCESSORIES</b>  |          |
| Mounting set M-DA2000 with screws, plastic-pressure taps, 2 m plastic hose (5 x 1,5 mm) | 25305    |
| 1. Limit value pointer red or green - <b>Please choose!</b>                             | 25301    |
| 2. Limit value pointer red or green - <b>Please choose!</b>                             | 25302    |
| <b>SURCHARGE</b>  |          |
| Special measuring range e.g. -20...0...+80 Pa   | 25303    |
| Scale in m <sup>3</sup> /h  | 25306    |
| Output square root rad-DA2000 at output 0...10 V and 4...20 mA possible                 | 25307    |
| Double scale DA2000 (m <sup>3</sup> /h and Pa) possible                                 | 25311    |