



- ❑ Diaphragm element
- ❑ Smallest measuring range 0...50 Pa
- ❑ Digital display 3 1/2 digits
- ❑ Analogue output 0...10 V and 4...20 mA
- ❑ Supply voltage 230 Vac, 24 Vac or 24 Vdc
- ❑ Protection class IP 65
- ❑ Also available as two-wire-transmitter (PERITACT 2000-2L)

Manometer with diaphragm element for indication of pressure, under pressure or differential pressure of non aggressive gas.

Overload protection: min. up to 10-times the measuring range  
 Static pressure: max. 0.2 bar

Zero drift: ± 0.75 %  
 Sum of linearity and hysteresis: ± 1% of measuring range  
 Temperature drift zero point: ± 0.3 % / 10 K  
 Temperature drift measuring range: ± 0.2 % / 10 K

#### PERFORMANCE:

min. up to 10-times the measuring range  
 max. 0.2 bar

#### ACCURACY / ERROR LIMIT:

± 0.75 %  
 ± 1% of measuring range  
 ± 0.3 % / 10 K  
 ± 0.2 % / 10 K

#### TECHNICAL SPECIFICATIONS:

Operating mode: Measuring mode  
 Measuring medium: Air or non-aggressive gases  
 Measuring principle: diaphragm measuring system  
 Measuring unit: Pa

Smallest measuring range: 0...50 Pa (0.5 mbar)  
 Largest measuring range: 0...10000 Pa (60 mbar)  
 Measuring range: 0...50 Pa (0.5 mbar), 0...100 Pa (1 mbar), 0...200 Pa (2 mbar), 0...400 Pa (4 mbar), 0...500 Pa (5 mbar), 0...1000 Pa (10 mbar), 0...2000 Pa (20 mbar), 0...4000 Pa (40 mbar), 0...5000 Pa (50 mbar), 0...6000 Pa (60 mbar), 0...10000 Pa (100 mbar)

Measuring range selection: factory preset  
 Damping: adjustable in 3 steps  
 Ambient temperature: -10...+50 °C  
 Storage temperature: -25...+60 °C  
 Setpoint setting: 2 Setpoint pointer adjustable over the full scale range, per limit value 1 Output relay with potential-free change-over contact

Contact load: 250 Vac, 6A, induction-free load

#### PHYSICALLY:

Housing: Ultramid/ABS, black / grey  
 Dimensions: 122 x 120 x 85 mm (wxhxd)  
 Weight: approx. 900 g  
 Protection class: IP65 according EN 60529  
 Display: 3 1/2-digit digital LCD display, digit height 13 mm  
 Scaling: Screw terminals, cable entry: 2 x M16 x 1.5  
 Pressure connections: Hose connections 8 mm ø

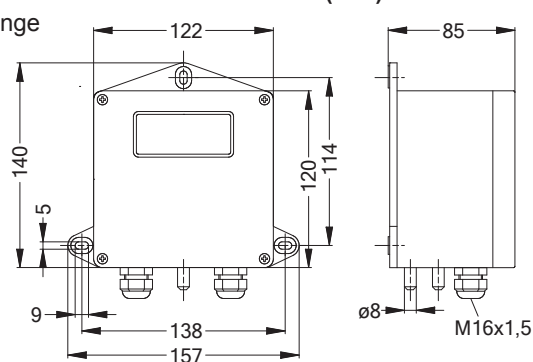
#### ELECTRONIC:

Power supply: 230 Vac, 24 Vac or 24 Vdc  
 Output: 0...10 V and 0...20 mA via DIP switch switchable to 4...20 mA

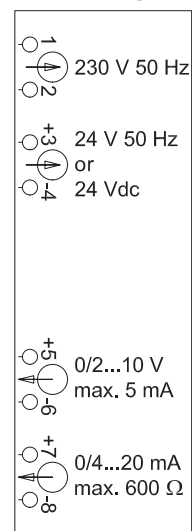
#### CONFORMITY:

EMC: EN 61000-6-2, EN 61000-6-3, CE-mark  
 RoHS: according RoHS-directive 2011/65/EU

#### Dimensions (mm)



#### Connection diagram



#### Item no.

**Low pressure transmitter Peritact 2000** 2460

Measurement range & signal output: **Customer-specific presetting required!**  
 Output: 0...10 V, 0/4...20 mA, supply voltage: 230 Vac, 24 Vac or 24 Vdc

**2-wire transmitter Peritact 2000-2L** 2470

Measurement range: **Customer-specific presetting required!**  
 Output: 4...20 mA, supply voltage 13...30 Vdc

#### ACCESSORIES

**Mounting set** with screws, plastic-pressure taps, 2 m plastic hose (7 x 1.5 mm) 24602

**Assembly frame** for panel mounting incl. all mounting hardware 24605

**Test certificate** 24603

#### SURCHARGE

**Special measuring range** e.g. -20...0...+80 Pa 24601

# LOW PRESSURE TRANSMITTER PERITACT 2000-K



- Diaphragm element
- Smallest measuring range 0...50 Pa
- Backlit LCD display with 4 lines of 20 characters
- Analogue output 0...10 V and 4...20 mA
- 2 switching output signals potential free
- Switching function min. or max.
- Supply voltage 230 Vac, 24 Vac or 24 Vdc
- Protection class IP 65

Manometer with diaphragm element for indication of pressure, under pressure or differential pressure of non aggressive gas. Also for air flow measurement according to the Differential Pressure or dynamic pressure method with square-root characteristic.

### PERFORMANCE:

Overload protection: min. up to 10-times the measuring range  
Static pressure: max. 0.2 bar

### ACCURACY / ERROR LIMIT:

Zero drift:  $\pm 0.75\%$   
Sum of linearity and hysteresis:  $\pm 1\%$  of measuring range  
Temperature drift zero point:  $\pm 0.3\%$  / 10 K  
Temperature drift measuring range:  $\pm 0.2\%$  / 10 K

### TECHNICAL SPECIFICATIONS:

Operating mode: Measuring mode with limit contacts  
Measuring medium: Air or non-aggressive gases  
Measuring principle: diaphragm measuring system  
Measuring unit: Pa  
Smallest measuring range: 0...50 Pa (0.5 mbar)  
Largest measuring range: 0...10000 Pa (60 mbar)  
Measuring range: 0...50 Pa, 0...100 Pa, 0...200 Pa, 0...400 Pa, 0...500 Pa, 0...1000 Pa, 0...2000 Pa, 0...4000 Pa, 0...5000 Pa, 0...6000 Pa, 0...10000 Pa  
Measuring range selection: factory preset  
Damping: pressure - linear, volume - square rooted  
Ambient temperature: -10...+50 °C  
Storage temperature: -25...+60 °C  
Switching function: min. or max. for each contact  
Adjustable switching ranges: 0 ... 100% measuring range  
Switching outputs: 2 potential-free change-over contacts  
Switching delay: adjustable 0 ... 20 s  
Contact load: 250 Vac, 8 A induction-free load

### PHYSICALLY:

Housing: Ultramid/ABS, black / grey  
Dimensions: 122 x 120 x 85 mm (wxhxd)  
Weight: approx. 900 g  
Protection class: IP65 according EN 60529  
Display: Illuminated LCD display - 4 lines, 20 characters  
Scaling: Screw terminals, cable entry: 2 x M16 x 1.5  
Pressure connections: Hose connections 8 mm  $\varnothing$

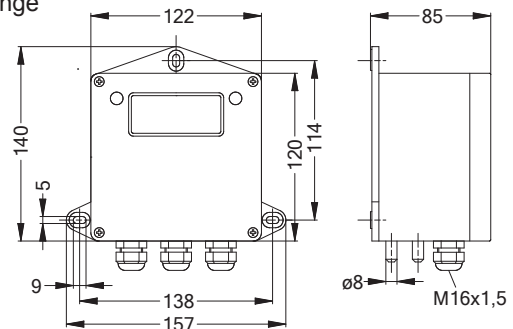
### ELECTRONIC:

Power supply: 230 Vac, 24 Vac or 24 Vdc  
Power consumption: approx. 1.5 VA  
Output: 0...10 V and 0...20 mA via DIP switch switchable to 4...20 mA

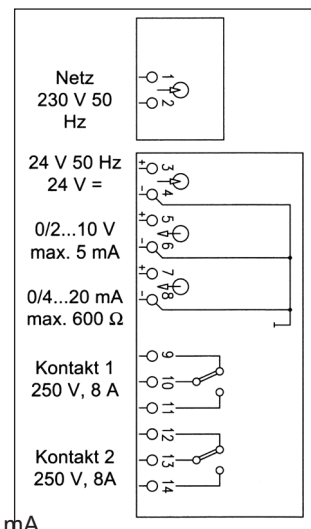
### CONFORMITY:

EMC: EN 61000-6-2, EN 61000-6-3, CE-mark  
RoHS: according RoHS-directive 2011/65/EU

### Dimensions (mm)



### Connection diagram



Item no.

Low pressure transmitter Peritact 2000-K

2480

Measurement range & signal output: **Customer-specific presetting required!**

Output: 0/2...10 V and 0/4...20 mA, 2 changeover contacts 250 Vac, 8 A non-inductive  
Supply voltage: 230 Vac, 24 Vac or 24 Vdc

### ACCESSORIES

Mounting set with screws, plastic-pressure taps, 2 m plastic hose (7 x 1.5 mm)

24602

Assembly frame for panel mounting incl. all mounting hardware

24605

Test certificate

24603

### SURCHARGE

Special measuring range e.g. -20...0...+80 Pa

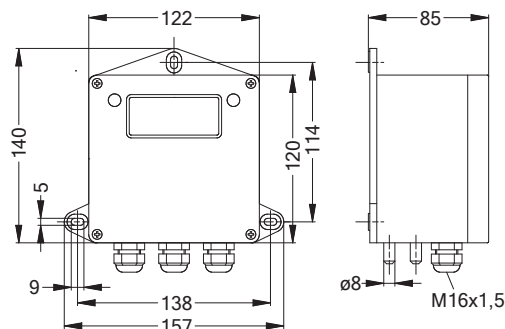
24601



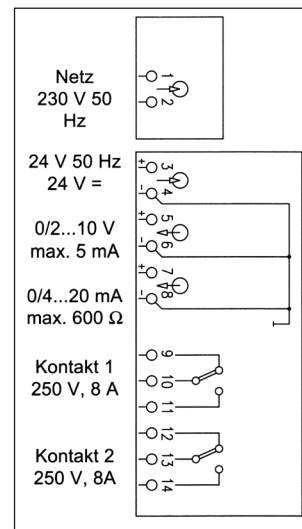
- Dynamic micro flow sensor
- Smallest measuring range 0...10 Pa
- Analogue output 0...10 V and 0/4...20 mA
- 2 outputs with change-over contacts 250V, 8A
- Characteristic linear or square-rooted
- LCD-Display with 4 lines of 20 characters
- Contact function min. or max.
- Supply voltage 230 Vac, 24 Vac or 24 Vdc
- Protection class IP 65

Manometer with diaphragm element for indication of pressure, under pressure or differential pressure of non aggressive gas. Thanks to the measuring principle, the device is irrespective of position and has an extremely high zero-point security with the smallest measuring ranges. Thereby, it is particularly suitable for air flow measurement according to the "Differential pressure" or "dynamic pressure" method with square-root characteristic. No negative pressure measurement possible.

<p>Overload protection: Static pressure:</p> <p>Zero drift: Sum of linearity and hysteresis: Temperature drift zero point: Temperature drift measuring range:</p> <p>Operating mode: Measuring medium: Measuring principle: Measuring unit: Smallest measuring range: Largest measuring range: Measuring range:</p> <p>Measuring range selection: Characteristics: Damping: Ambient temperature: Storage temperature: Switching function: Adjustable switching ranges: Switching outputs: Switching delay: Contact load:</p> <p>Housing: Dimensions: Weight: Protection class: Display: Scaling: Pressure connections:</p> <p>Power supply: Power consumption: Output:</p>	<p><b>PERFORMANCE:</b> min. up to 10-times the measuring range max. 0.2 bar</p> <p><b>ACCURACY / ERROR LIMIT:</b> ± 0.75 % ± 1% of measuring range ± 0.3 % / 10 K ± 0.2 % / 10 K</p> <p><b>TECHNICAL SPECIFICATIONS:</b> Measuring mode with limit contacts Air or non-aggressive gases diaphragm measuring system Pa or m<sup>3</sup>/h 0...50 Pa (0.5 mbar), resolution 11 Pa 0...3500 Pa (35 mbar), resolution 11 Pa 0...10 Pa, 0...20 Pa, 0...50 Pa, 0...100 Pa, 0...200 Pa, 0...400 Pa, 0...500 Pa, 0...1000 Pa, 0...2000 Pa, 0...3000 Pa, 0...3500 Pa factory preset linear or square rooted selectable 0, 1, 2, 4, 8, 16, 32 s -10...+50 °C -25...+60 °C min. or max. for each contact 0 ... 100% measuring range 2 potential-free change-over contacts adjustable 0 ... 20 s 250 Vac, 8 A induction-free load</p> <p><b>PHYSICALLY:</b> Ultramid/ABS, black / grey 122 x 120 x 85 mm (wxhxd) approx. 900 g IP65 according EN 60529 Illuminated LCD display - 4 lines, 20 characters Screw terminals, cable entry: 2 x M16 x 1.5 Hose connections 8 mm ø</p> <p><b>ELECTRONIC:</b> 230 Vac, 24 Vac or 24 Vdc approx. 1.5 VA 0/2...10 V and 0/4...20 mA</p>
--	---



Connection diagram



Item no.

Low pressure transmitter PERITACT 2000-K10

2490

Measurement range & signal output: **Customer-specific presetting required!**

Output: 0/2...10 V and 0/4...20 mA, 2 changeover contacts 250 Vac, 8 A non-inductive

Supply voltage: 230 Vac and 24 Vdc

**ACCESSORIES**

Mounting set with screws, plastic-pressure taps, 2 m plastic hose (7 x 1.5 mm)

24602

Assembly frame for panel mounting incl. all mounting hardware

24605

Test certificate

24603

**SURCHARGE**

Special measuring range e.g. 0...6000 Pa (no negative pressure measurement possible)

24601